

Fox Electronics Headquarters
5570 Enterprise Parkway
Fort Myers, FL 33905 USA
Tel: 888-GET-2-FOX
Outside US: +1.239.693.0099
Fax: +1.239.693.1554

Fox Electronics EMEA
14 Banks Road
Biggleswade, Bedfordshire
SG18 0DY, United Kingdom
Tel/Fax: +44.1767.312632

Fox Electronics Asia
4/F Gold & Silver Commercial Bldg.
12-18 Mercer St.
Central, Hong Kong
Tel: +852.2854.4285
Fax: +852.2854.4282

Fox Electronics Japan
3-28-6-1A Yoyogi
Shibuya-ku, Tokyo 151
Japan
Tel: +81.3.3374.2079
Fax: +81.3.3377.5221

Product Change Notification

PCN Publish Date: 03/03/2009

PCN#: 323

Change Title: Product Height Change

Products Affected: FOX923 series

Model Number	Part Number
FOX923B	673 - Frequency-xxxxx
FOX923E	638 - Frequency-xxxxx

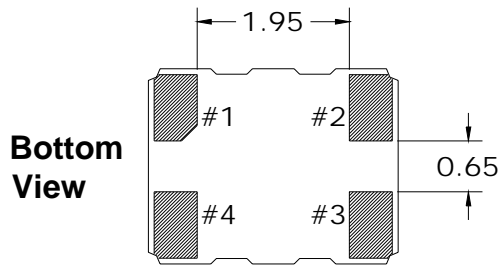
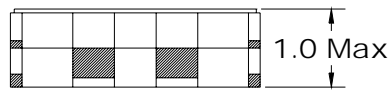
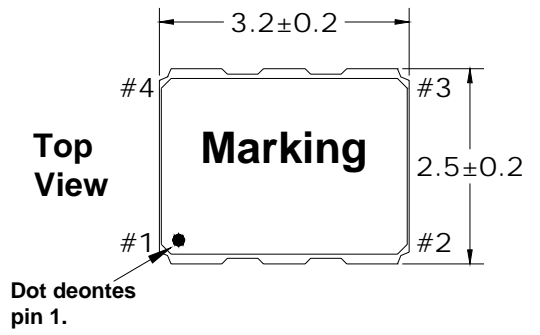
Description of Change to the Customer: In order to expand our production capacity to meet market demands and supply the highest quality product at the most reasonable costs, we are changing the standard height for the FOX923 TCXO/VCTCXO series from 1.0mm Max to 1.2mm Max. A dimensional drawing showing the old and new heights is attached.

(Product with the original, lower profiles will still be available as a special order. The lower profile package will have to be specified and a unique Fox part number configured for ordering).

Schedule of Change: Change is effective immediately.

Customer Impact and Response: We sincerely hope this change will have minimal impact on our customers. If you have any questions, please email Fox Technical Support at www.foxonline.com/email.htm or call 239-693-0099.

FOX923 Series Old Height



FOX923 Series New Height

