

Fox Electronics Headquarters
5570 Enterprise Parkway
Fort Myers, FL 33905 USA
Tel: 888-GET-2-FOX
Outside US: +1.239.693.0099
Fax: +1.239.693.1554

Fox Electronics EMEA
14 Banks Road
Biggleswade, Bedfordshire
SG18 0DY, United Kingdom
Tel/Fax: +44.1767.312632

Fox Electronics Asia
4/F Gold & Silver Commercial Bldg.
12-18 Mercer St.
Central, Hong Kong
Tel: +852.2854.4285
Fax: +852.2854.4282

Fox Electronics Japan
3-28-6-1A Yoyogi
Shibuya-ku, Tokyo 151
Japan
Tel: +81.3.3374.2079
Fax: +81.3.3377.5221

Product Change Notification

PCN Publish Date: 11/07/2007

PCN#: 288

Change Title: Product Pin Documentation Changes

Products Affected: XpressO HCMOS Single Output XOs: 5x3.2mm and 7.5x5mm packages

Fox Model Number	Fox Part Number
FXO-HC53...	767-Frequency-xxxxx
FXO-HC73...	768-Frequency-xxxxx

*(xxxxx = random number. For more information on Fox part numbers, see <http://foxonline.com/onefamilytype.asp> on the Fox website.)

Description of Change to the Customer: To show compatibility of the above parts with industry standard 4 pad circuit layouts, we are changing the documentation for pin designation and recommended solder pad layout to the industry standard 4 pad format. The two middle pins are test points and are No Connect.

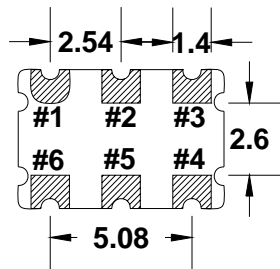
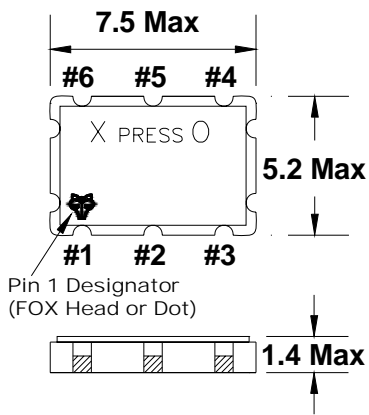
An example of the old and new documentation for the FXO-HC73 series is attached on the following page. (This example applies to the FXO-HC53 series also.)

This is a documentation change only; all specifications and functionality remain the same.

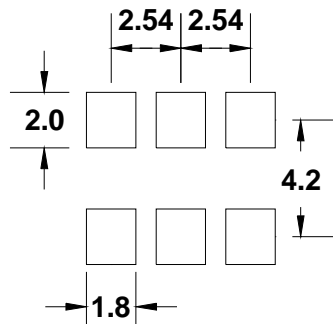
Schedule of Change: Change is effective immediately.

Customer Impact and Response: We believe this documentation change should have only a positive impact on our customers and help with comparing XpressO to traditional 4 pin parts. If you have any questions, please email Fox Technical Support at www.foxonline.com/email.htm or call 239-693-0099.

Old Documentation

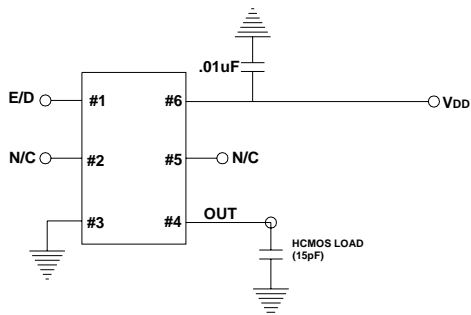


Recommended Solder Pad Layout

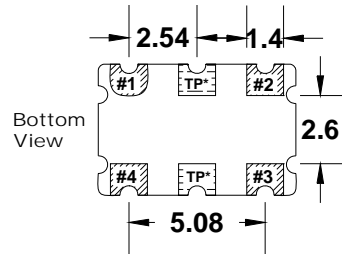
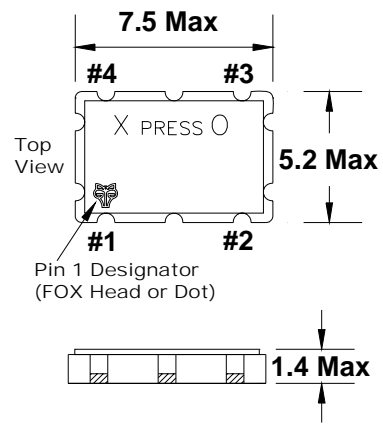


- Pin Connections**
- | | |
|---------|------------|
| #1) E/D | #4) Output |
| #2) NC* | #5) NC* |
| #3) GND | #6) VDD |
- *NC is No Connect

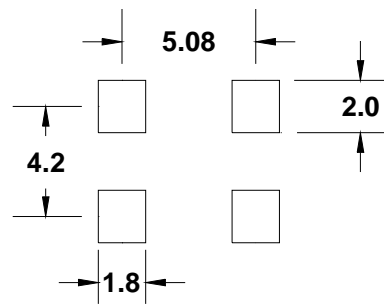
Recommended Circuit



New Documentation



Recommended Solder Pad Layout



Note: XPRESSO HCMOS XOs are designed to fit on industry standard, 4 pad, layouts.

- Pin Connections**
- | | |
|---------|------------|
| #1) E/D | #3) Output |
| #2) GND | #4) VDD |
- *TP are test points and are NC

Recommended Circuit

