

Fox Electronics Headquarters
5570 Enterprise Parkway
Fort Myers, FL 33905 USA
Tel: 888-GET-2-FOX
Outside US: +1.239.693.0099
Fax: +1.239.693.1554

Fox Electronics EMEA
14 Banks Road
Biggleswade, Bedfordshire
SG18 0DY, United Kingdom
Tel/Fax: +44.1767.312632

Fox Electronics Asia
4/F Gold & Silver Commercial Bldg.
12-18 Mercer St.
Central, Hong Kong
Tel: +852.2854.4285
Fax: +852.2854.4282

Fox Electronics Japan
3-28-6-1A Yoyogi
Shibuya-ku, Tokyo 151
Japan
Tel: +81.3.3374.2079
Fax: +81.3.3377.5221

Product Change Notification

PCN Publish Date: 11/05/2007

PCN#: 287

Change Title: Package Change

Products Affected: Model: FX252B
Part number: 637-frequency-xxxxx*
*(xxxxx = random number. For more information on Fox part numbers, see
<http://foxonline.com/onefamilytype.asp> on the Fox website.)

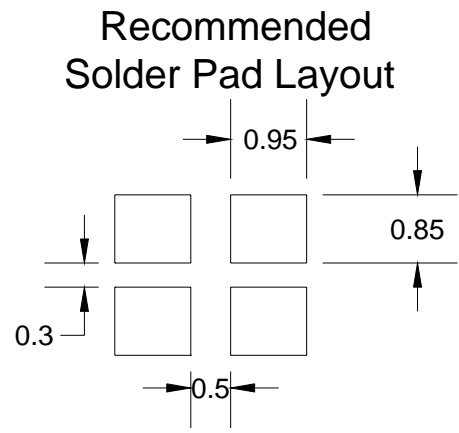
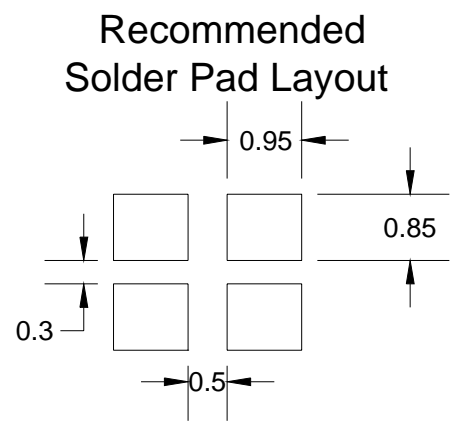
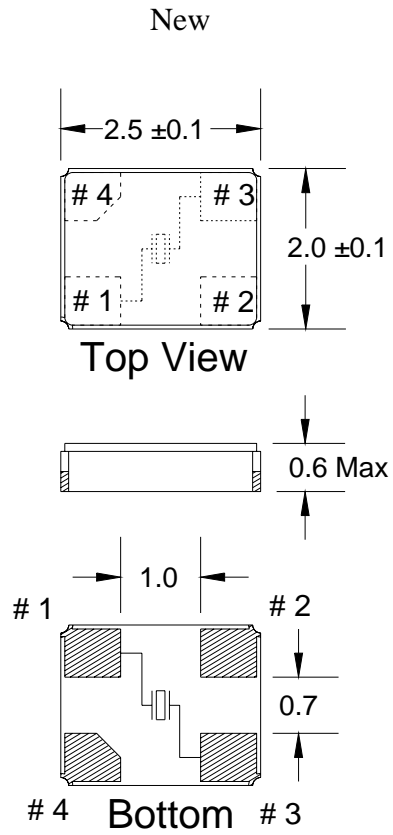
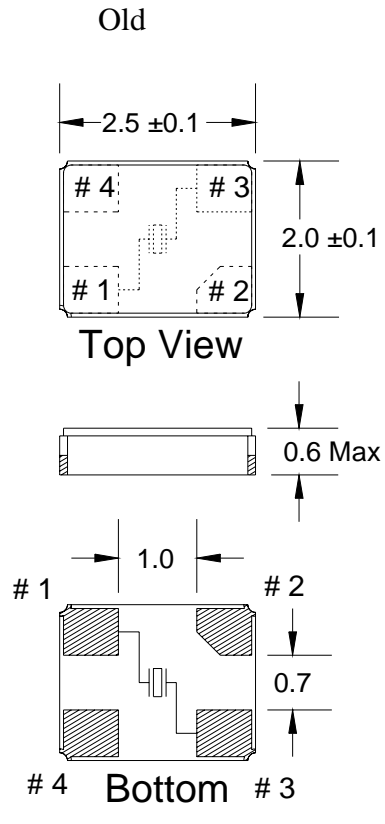
Description of Change to the Customer: Due to changes in package supplier tooling, the reference (chamfered) pad for the FX252B is changing from Pin 2 to Pin 4.

A drawing showing the change is attached on the following page.

The crystal connection from pin 1 to pin 3 remains the same in the circuit regardless of how the part is placed on the solder pads. A drawing showing a part with the old reference pin (2) and the new (4) placed on the same solder pad and the crystal connection is attached on page 3.

Schedule of Change: Change is effective immediately.

Customer Impact and Response: We sincerely hope this change will have minimal impact on our customers. If you have any questions, please email Fox Technical Support at www.foxonline.com/email.htm or call 239-693-0099.



FX252B Chamfered Pad Change
10/30/2007

Crystal connection is the same for either Pad 2 or 4 on the same solder pad.

