

Fox Electronics Headquarters
5570 Enterprise Parkway
Fort Myers, FL 33905 USA
Tel: 888-GET-2-FOX
Outside US: +1.239.693.0099
Fax: +1.239.693.1554

Fox Electronics EMEA
14 Banks Road
Biggleswade, Bedfordshire
SG18 0DY, United Kingdom
Tel/Fax: +44.1767.312632

Fox Electronics Asia
4/F Gold & Silver Commercial Bldg.
12-18 Mercer St.
Central, Hong Kong
Tel: +852.2854.4285
Fax: +852.2854.4282

Fox Electronics Japan
3-28-6-1A Yoyogi
Shibuya-ku, Tokyo 151
Japan
Tel: +81.3.3374.2079
Fax: +81.3.3377.5221

Product Change Notification

PCN Publish Date: 01/03/2007

PCN#: 258

Change Title: Product Dimensional Changes

Products Affected:

Fox Model Number	Fox Part Number
FQ1045A	735A- Frequency-xxxxx*

*(xxxxx = random number. For more information on Fox part numbers, see <http://foxonline.com/onefamilytype.asp> on the Fox website.)

Description of Change to the Customer: Due to process and reliability improvements, we are changing the package dimensions on the FQ1045A as outlined below:

Tolerance for package length: Change from $\pm 0.3\text{mm}$ to $\pm 0.2\text{mm}$
Package height: Change from $1.1 \pm 0.1\text{mm}$ to 1.7mm Max

The pad dimensions on the recommended solder pad layout have also been changed from $2.3\text{mm} \times 1.8\text{mm}$ to $3.0\text{mm} \times 2.5\text{mm}$.

A drawing markup and revised dimensional drawing are attached for reference.

Schedule of Change: Change is effective immediately.

Customer Impact and Response: We sincerely hope this change will have minimal impact on our customers. If you have any questions, please email Fox Technical Support at www.foxonline.com/email.htm or call 239-693-0099.

All Quartz SMD Crystal



Model: FQ1045A

RoHS Compliant / Pb Free

Rev. 5/24/2006

Page 1 of 2

http://www.foxonline.com/need_a_sample.htm



FEATURES

- Surface Mount All Quartz
- Low Cost
- Ultra Low Profile
- Fundamental

OPTIONS

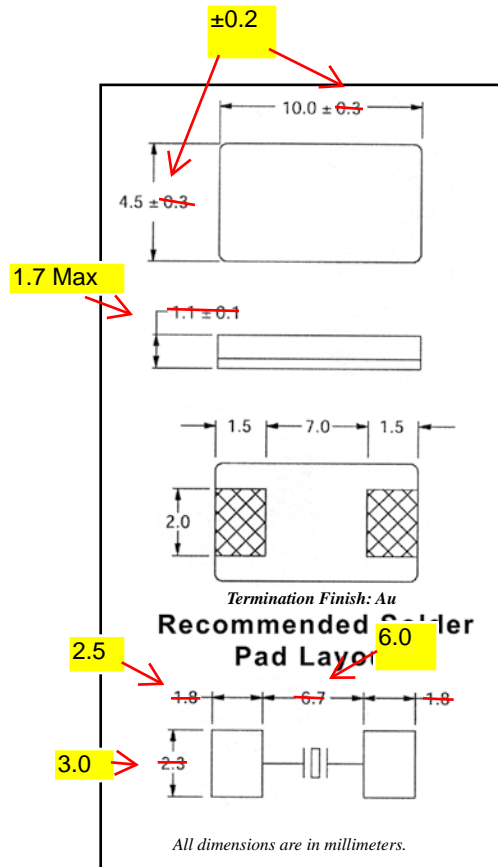
- Tolerances to ± 20 PPM
- Stabilities to ± 20 PPM
- Temp Range to $-40^{\circ}\text{C} \sim +85^{\circ}\text{C}$

• PART NUMBER Learn More - Internet Required		
Part Number	Model Number	Frequency Range (MHz)
735A-Frequency-xxxxx	FQ1045A	3.2768 ~ 6.000

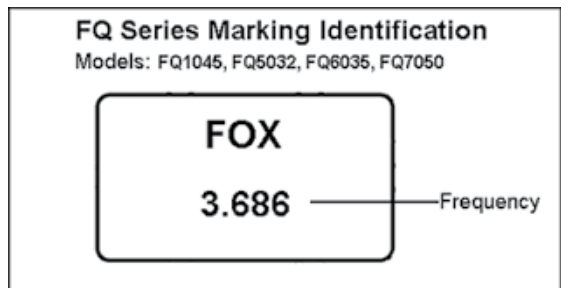
• STANDARD SPECIFICATIONS ¹	
PARAMETERS	MAX (unless otherwise noted)
Frequency Range (Fo)	3.2768 ~ 6.000 MHz
Frequency Tolerance @ 25°C	± 30 PPM ¹
Frequency Stability, ref @ 25°C Over Operating Temp Range	± 30 PPM ¹
Temperature Range	
Operating (TOPR)	$0^{\circ}\text{C} \sim +70^{\circ}\text{C}$ ¹
Storage (TSTG)	$-40^{\circ}\text{C} \sim +85^{\circ}\text{C}$
Shunt Capacitance (Co)	7 pF
Load Capacitance (CL)	10 pF ~ Series (Customer Specified)
Drive Level	0.5 mW
Aging per year	± 5 PPM

¹ Other tolerances, stabilities & operating temperature ranges available. Consult Fox Customer Service for specific requirements.

NOTE: The above specifications, having been carefully prepared and checked, is believed to be accurate at the time of publication; however, no responsibility is assumed by Fox Electronics for inaccuracies. All specifications subject to change without notice.

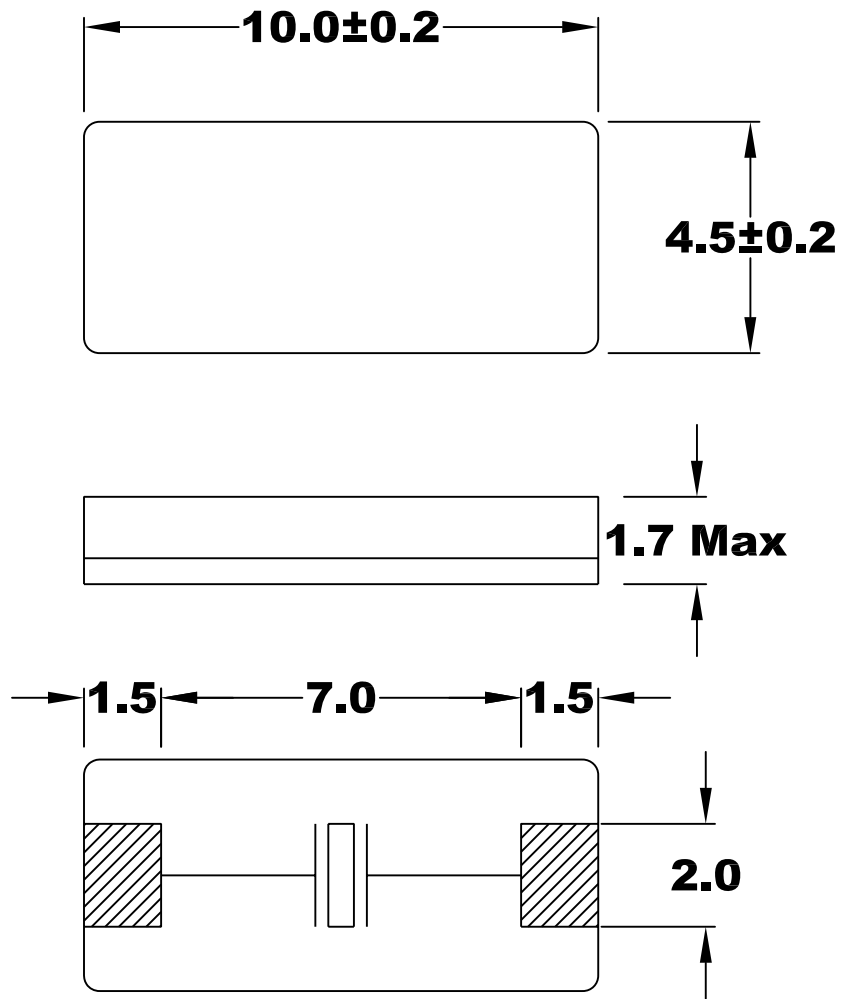


Frequency Range (MHz)	Operating Mode	Max ESR Ω
3.2768 ~ 6.000	Fundamental	150



FQ1045A

12/12/06



Recommended Solder Pad Layout

