

Product Change Notification

PCN Publish Date: 07/19/2017

PCN#: 529

Change Title: Product Dimension Changes

Products Affected:

O7PS Series (Former F4600, F4620 Series) – 7x5 mm LVPECL Oscillator
O7LS Series (Former F4700, F4710 Series) – 7x5 mm LVDS Oscillator

Description of Change to the Customer:

Package dimensions as shown on the following page.

Reason for Change:

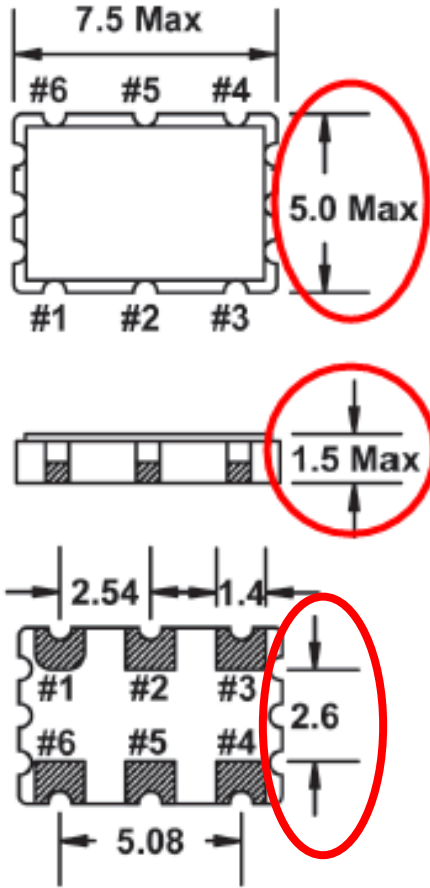
To accommodate alternate package sources and maintain an uninterrupted supply chain.

Schedule of Change: Change is effective immediately.

Customer Impact and Response: We sincerely believe this change will have minimal impact on our customers. If you have any questions, please contact Fox Technical Support at www.foxonline.com/email.htm or call 239-693-0099.

O7PS Series (Former F4600, F4620 Series)
O7LS Series (Former F4700, F4710 Series)
Package Changes

Old



New

