

---

**EMEA**  
Tel: +44.1283.568153

**Singapore**  
Tel: +65.6844798

**Japan**  
Tel: +81.3.3374.2079

---

## Product Change Notification

**PCN Publish Date:** 02/02/2016

**PCN#:** 488

**Change Title:** Product Dimension Changes

**Products Affected:**

Model Number	Part Number
FXA2016B	617B-frequency-xxx
FX216C	617C-frequency-xxx
FX252BS	637S-frequency-xxx
FXA2520B	827B-frequency-xxx
FXA3225B	507B-frequency-xxx
FXA5032B	419B-frequency-xxx

**Description of Change to the Customer:**

Minor package dimension changes. Changes detailed on the following pages.

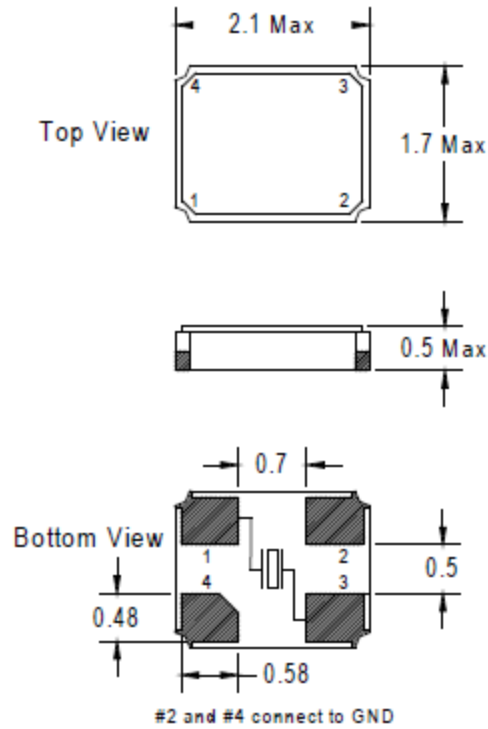
Note: These changes are minor in nature and there is no impact on part placement on current solder pad layouts.

**Reason for Change:** To consolidate and streamline our product packaging.

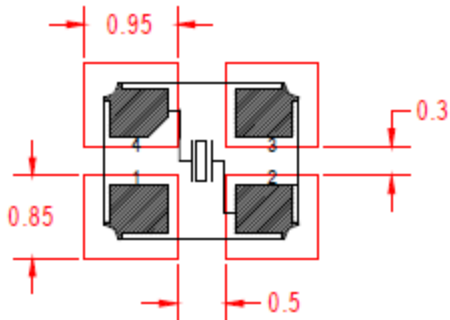
**Schedule of Change:** Change is effective immediately.

**Customer Impact and Response:** We sincerely believe this change will have minimal impact on our customers. If you have any questions, please contact Fox Technical Support at [www.foxonline.com/email.htm](http://www.foxonline.com/email.htm) or call 239-693-0099.

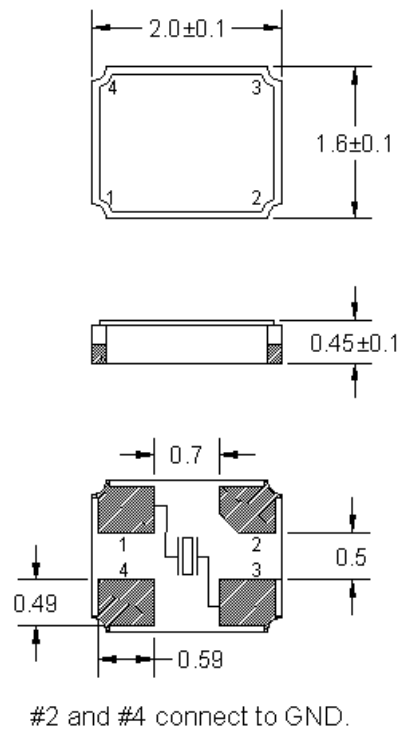
FXA2016B (Old)



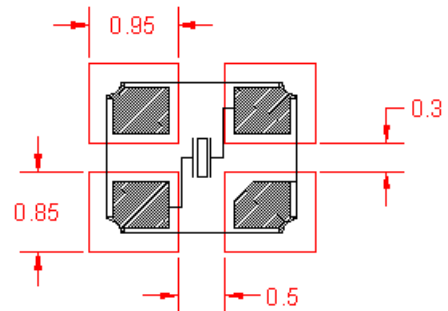
**Recommended Solder Pad Layout**



FXA2016B (New)



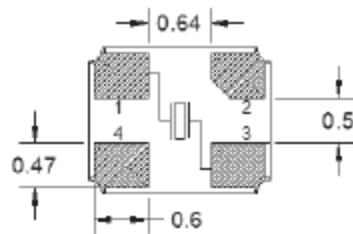
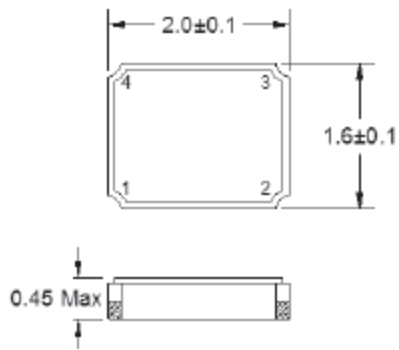
**Recommended Solder Pad Layout**



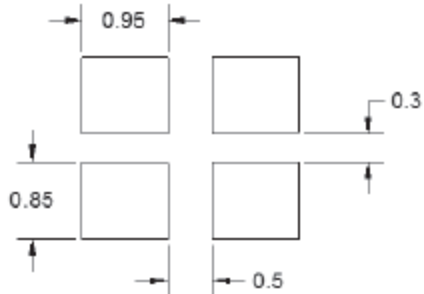
Changed width and length specification format from max to typical and tolerances.  
 Changed height from 0.5mm max to 0.45±0.1mm.

Note: Dimensional drawing is for reference to critical specifications defined by size measurements. Certain non-critical visual attributes, such as side castellations, reference pin shape, reference pin location, etc. may vary.

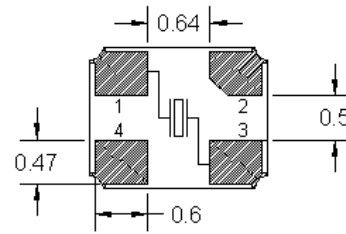
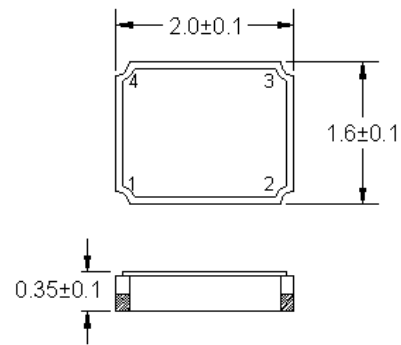
FX216C (Old)



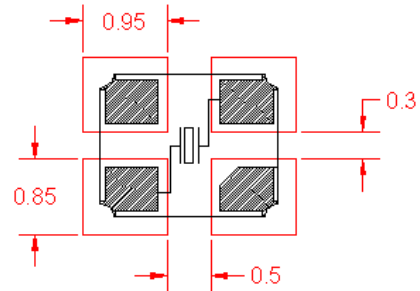
**Recommended Solder Pad Layout**



FX216C (New)



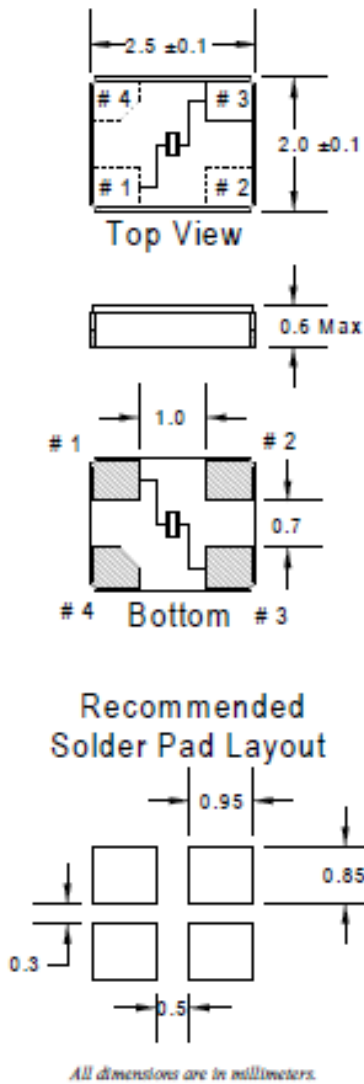
**Recommended Solder Pad Layout**



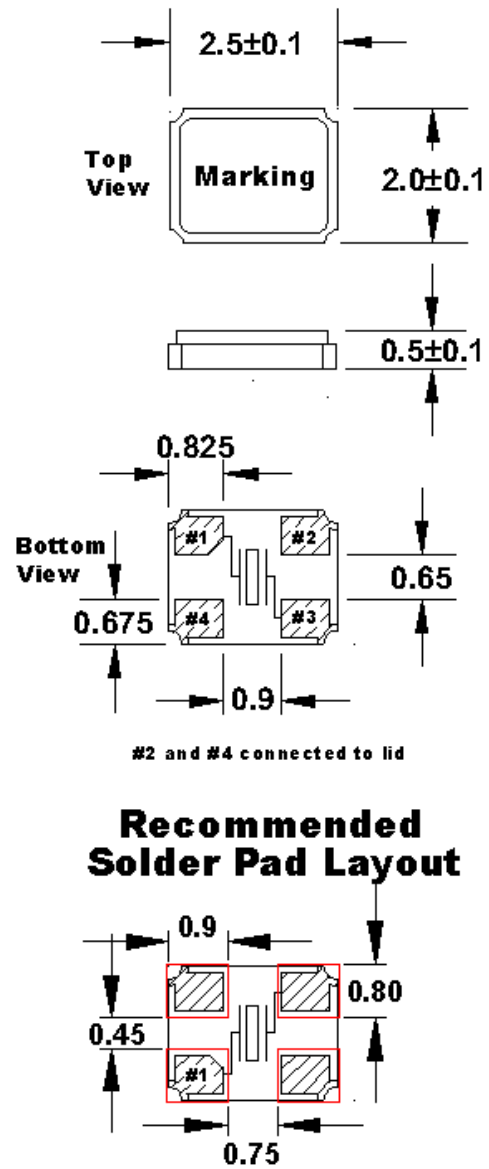
The only change is height spec format: typical and tolerance instead of Max.

Note: Dimensional drawing is for reference to critical specifications defined by size measurements. Certain non-critical visual attributes, such as side castellations, reference pin shape, reference pin location, etc. may vary.

FX252BS (Old)



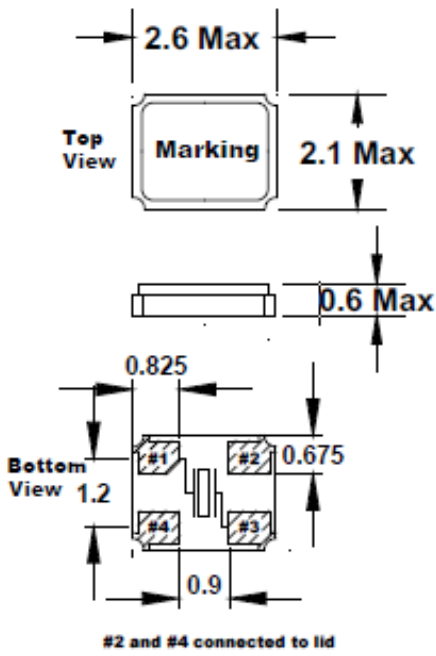
FX252BS (New)



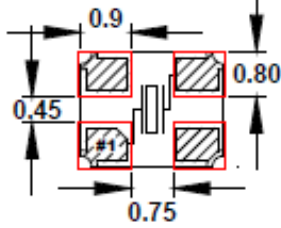
Changed height spec format to typical and tolerance instead of Max.  
 Minor pad spacing changes.

Note: Dimensional drawing is for reference to critical specifications defined by size measurements. Certain non-critical visual attributes, such as side castellations, reference pin shape, reference pin location, etc. may vary.

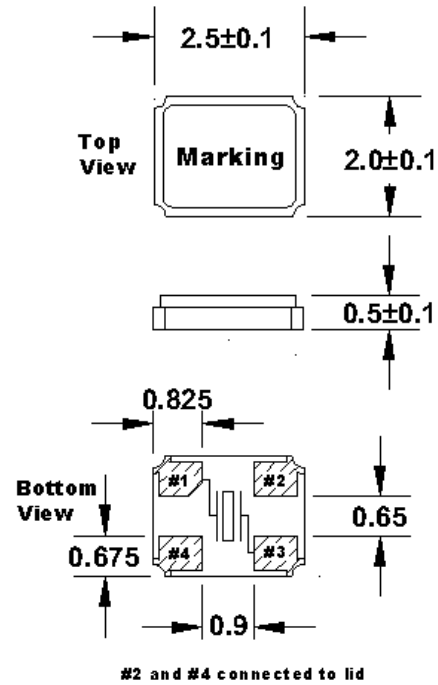
FXA2520B (Old)



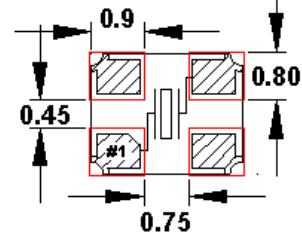
**Recommended Solder Pad Layout**



FXA2520B (New) - IDT package code SC4



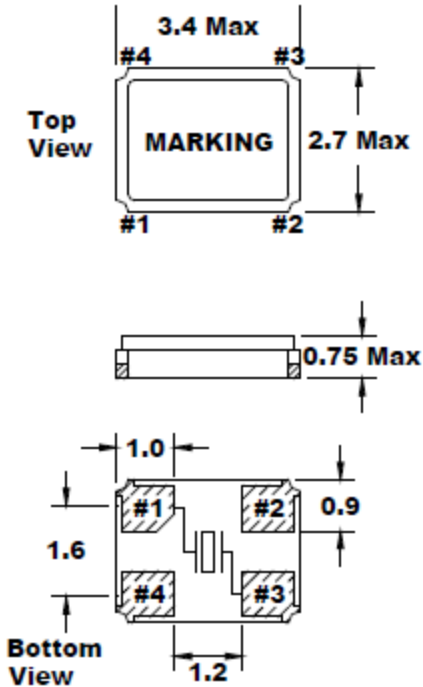
**Recommended Solder Pad Layout**



Changed width, length, and height specification format from max to typical and tolerances.

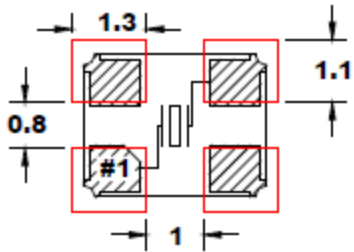
Note: Dimensional drawing is for reference to critical specifications defined by size measurements. Certain non-critical visual attributes, such as side castellations, reference pin shape, reference pin location, etc. may vary.

FXA3225B (Old)

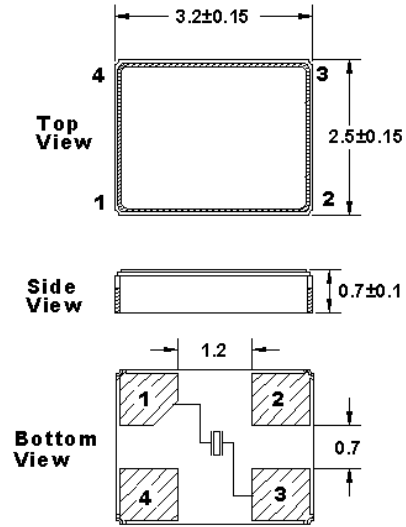


#2 and #4: Connected to lid

**Recommended Solder Pad Layout**

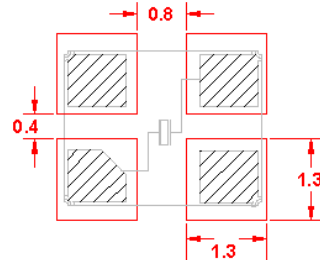


FXA3225B (New) - IDT package code JA4



#2 & #4 connected to metal top

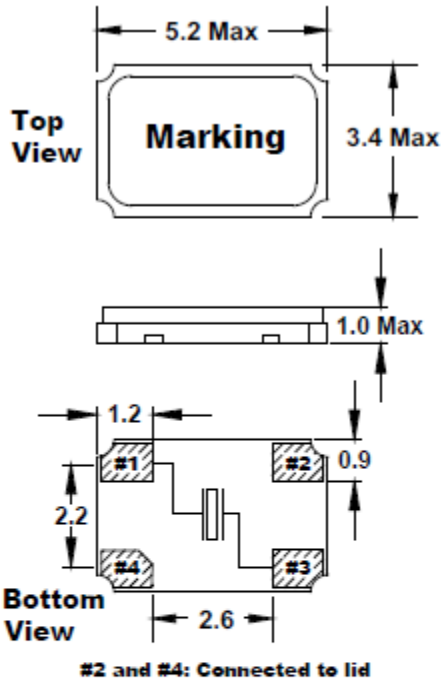
**Recommended Solder Pad Layout**



Changed width, length, and height specification format from max to typical and tolerances. Height increase of 0.05 max.

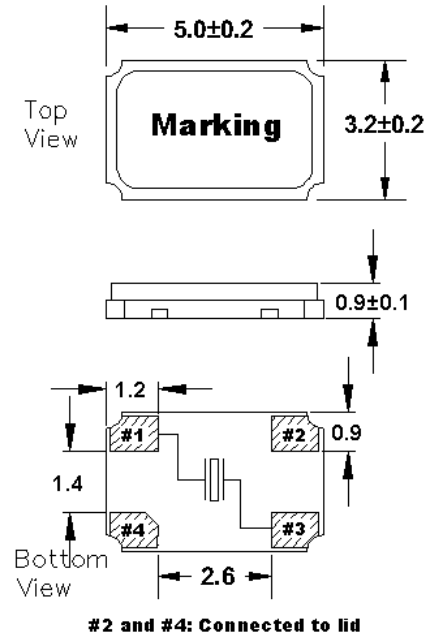
Note: Dimensional drawing is for reference to critical specifications defined by size measurements. Certain non-critical visual attributes, such as side castellations, reference pin shape, reference pin location, etc. may vary.

FXA5032B (Old)

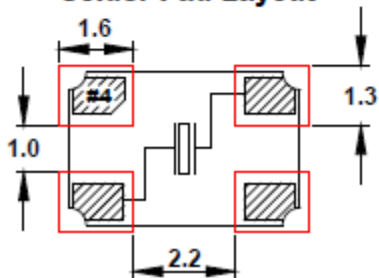


FXA5032B (New)

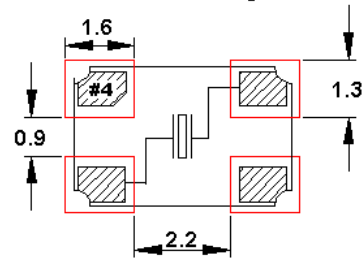
- No IDT pkg code assigned yet.



Recommended Solder Pad Layout



Recommended Solder Pad Layout



Changed width, length, and height specification format from max to typical and tolerances.

Note: Dimensional drawing is for reference to critical specifications defined by size measurements. Certain non-critical visual attributes, such as side castellations, reference pin shape, reference pin location, etc. may vary.