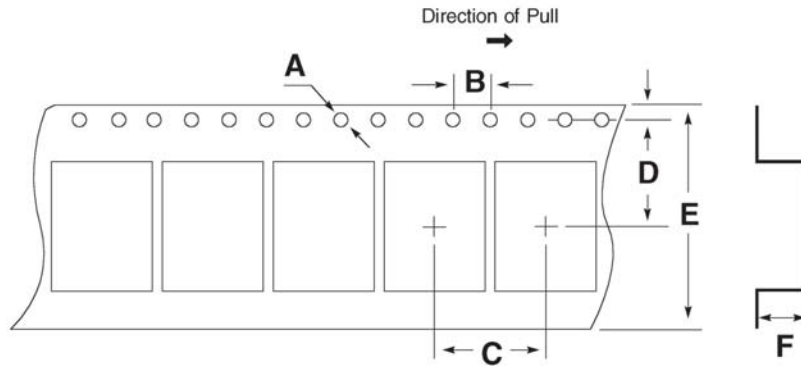




# SURFACE MOUNT CRYSTALS TAPE SPECIFICATIONS



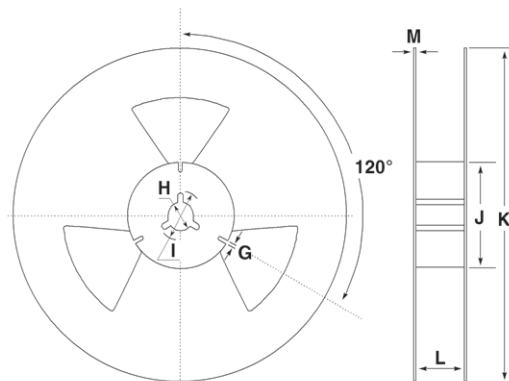
• TAPE SPECIFICATIONS (millimeters)							
MODEL	A	B	C	D	E	F	STD QTY <sup>1</sup>
FX216B	Ø1.5	4.0	4.0	3.5	8.0	0.75	3,000
FX252B	Ø1.5	4.0	4.0	3.5	8.0	0.65	3,000
FX325B	Ø1.5	4.0	4.0	3.5	8.0	1.3	3,000
FX425 Series	Ø1.5	4.0	4.0	5.5	12.0	1.3	3,000
FQ5032 Series	Ø1.5	4.0	8.0	7.5	16.0	1.2	1,000
FX532 Series	Ø1.5	4.0	8.0	5.5	12.0	1.7	2,000
FQ6035 Series	Ø1.5	4.0	8.0	5.5	12.0	1.2	1,000
FQA	Ø1.5	4.0	8.0	5.5	12.0	1.9	2,000
FMB	Ø1.5	4.0	8.0	5.5	12.0	1.9	2,000
FQ7050 Series	Ø1.5	4.0	8.0	7.5	16.0	2.0	1,000
FE	Ø1.5	4.0	8.0	7.5	16.0	2.3	2,000
FD	Ø1.5	4.0	8.0	7.5	16.0	1.7	3,000
FQ1045A Series	Ø1.5	4.0	8.0	7.5	16.0	2.0	1,000
FC	Ø1.5	4.0	12.0	11.5	24.0	2.6	1,000
FPXLF	Ø1.5	4.0	12.0	11.5	24.0	5.5	1,000
HC49SDLF	Ø1.5	4.0	12.0	11.5	24.0	4.8	1,000
HC49SSDLF	Ø1.5	4.0	12.0	11.5	24.0	3.5	1,000
HC49SPX	Ø1.5	4.0	12.0	11.5	24.0	5.5	1,000
FSN	Ø1.5	4.0	8.0	5.5	12.0	1.3	3,000
FSXLF	Ø1.5	4.0	8.0	7.5	16.0	1.6	3,000
FSRLF	Ø1.5	4.0	8.0	7.5	16.0	2.7	3,000

All specifications subject to change without notice. Rev. 8/18/05

<sup>1</sup> Standard reel quantity.



# SURFACE MOUNT CRYSTALS FOX REEL SPECIFICATIONS



## • REEL SPECIFICATIONS (millimeters)

MODEL	G	H	I	J	K	L	M
FX216B	2.0	Ø13	Ø21	Ø60	Ø180	9.0	2.0
FX252B	2.0	Ø13	Ø21	Ø60	Ø180	9.0	2.0
FX325B	2.0	Ø13	Ø21	Ø80	Ø180	9.0	2.0
FX425 Series	2.0	Ø13	Ø21	Ø80	Ø180	13.5	2.0
FQ5032 Series	2.0	Ø13	Ø21	Ø62.5	Ø178	16.4	2.0
FX532 Series	2.0	Ø13	Ø21	Ø80	Ø250	13.5	2.0
FQ6035 Series	2.0	Ø13	Ø21	Ø80	Ø250	13.5	2.0
FQA	2.0	Ø13	Ø21	Ø80	Ø250	13.5	2.0
FMB	2.0	Ø13	Ø21	Ø80	Ø250	13.5	2.0
FQ7050 Series	2.0	Ø13	Ø21	Ø62.5	Ø178	16.4	2.0
FE	2.0	Ø13	Ø21	Ø80	Ø250	17.5	2.0
FD	2.0	Ø13	Ø21	Ø80	Ø250	17.5	2.0
FQ1045A Series	2.0	Ø13	Ø21	Ø62.5	Ø178	16.4	2.0
FC	2.0	Ø13	Ø21	Ø80	Ø250	25.5	2.0
FPXLF	2.0	Ø13	Ø21	Ø100	Ø250	25.5	2.0
HC49SDLF	2.0	Ø13	Ø21	Ø80	Ø330	25.5	2.0
HC49SSDLF	2.0	Ø13	Ø21	Ø80	Ø330	25.5	2.0
HC49SPX	2.0	Ø13	Ø21	Ø80	Ø330	25.5	2.0
FSN	2.0	Ø13	Ø21	Ø60	Ø180	13.0	2.0
FSXLF	2.0	Ø13	Ø21	Ø50	Ø330	16.4	2.0
FSRLF	2.0	Ø13	Ø21	Ø50/100	Ø330	16.4	2.0

All specifications subject to change without notice. Rev. 6/20/05